

# Steel wall mount enclosure



## Single door wall mount enclosure

### Supply Include

Enclosure and door ,mounting plate, lock system, gland plate, sealing gasket and fixing accessories.

Standard Configuration

Paint finish epoxy polyester powder coating textured finish

Color: RAL 7032 or RAL 7035

Protection degree:IP 66

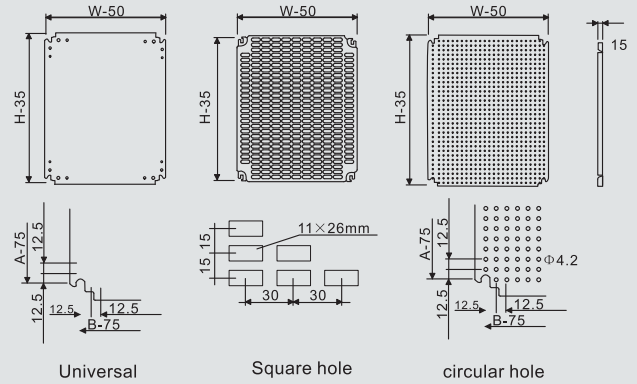
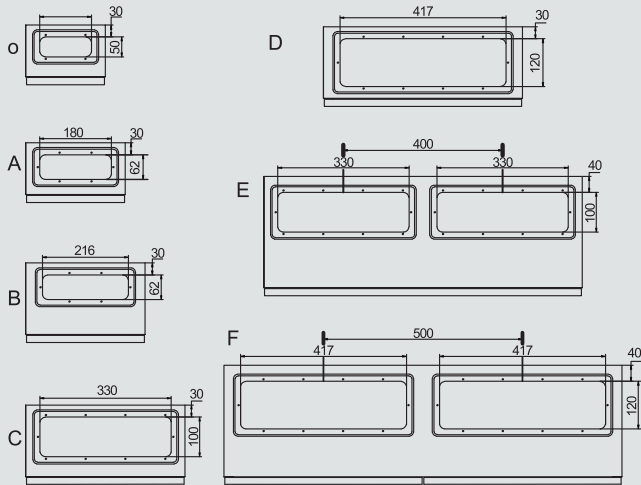
Against mechanical impacts: IK 10

Thickness:

Enclosure & door: sheet steel 1.2mm till size ST6 820 then 1.5mm.

Mounting p late:

zinc-coated steel 1.5mm till size ST6 820 then 2.0mm



Note: door hinges on the left for the left open door, door hinges on the right for the right open door

## Selection Table

W	H	D	No.of lock	Gland open
200	200	150	1	O
200	250	150	1	O
250	250	150	1	A
200	300	150	1	O
250	300	150	1	A
300	300	150	1	B
400	300	150	1	B
300	400	150	1	B
400	400	150	1	B
300	500	150	1	B
400	500	150	1	B
500	500	150	1	D
400	600	150	2	C
500	600	150	2	D
250	300	200	1	A
300	300	200	1	B
400	300	200	1	B
300	400	200	1	B
400	400	200	1	B
600	400	200	1	D
300	500	200	1	B
400	500	200	1	C

W	H	D	No.of lock	Gland open
500	500	200	1	D
400	600	200	2	C
500	600	200	2	D
600	600	200	2	D
600	800	200	2	D
800	800	200	2	E
600	1000	200	3	D
800	1000	200	3	E
600	1200	200	3	D
800	1200	200	3	E
400	400	250	1	C
600	400	250	1	D
400	500	250	1	C
500	500	250	1	D
400	600	250	2	C
500	600	250	2	D
600	600	250	2	D
500	700	250	2	D
600	800	250	2	D
800	800	250	2	E

W	H	D	No.of lock	Gland open
600	1000	250	3	D
800	1000	250	3	E
600	1200	250	3	D
800	1200	250	3	E
400	500	300	1	C
400	600	300	2	C
500	600	300	2	D
600	600	300	2	D
500	700	300	2	D
600	800	300	2	D
800	800	300	2	E
800	800	300	2	E
600	1000	300	3	D
800	1000	300	3	E
600	1200	300	3	D
800	1200	300	3	E
600	1000	400	3	D
800	1000	400	3	E
600	1200	400	3	D
800	1200	400	3	E
800	1400	400	3	E



## Inner door wall mount enclosure(STI)

Supply include: enclosure and door & inner door ,with lock system, galvanised mounting plate, gland plate, sealing gasket and fixing accessories.

Color: RAL 7032 or RAL 7035,paint finish epoxy polyester powder coating textured finish

Protection degree: IP 66 Against mechanical impacts:IK10

Enclosure, door & inner door: sheet steel 1.2mm till size STI6 820 then 1.5mm, mounting plate:galvanised steel 1.5mm till size STI6 820 then 2.0mm, inner door 1.2mm

Model	W × H × D(mm)	No.of lock
STI3 415	300×400×150	1
STI3 420	300×400×200	1
STI4 315	400×300×150	1
STI4 420	400×400×200	1
STI4 520	400×500×200	1
STI4 620	400×600×200	2
STI5 520	500×500×200	1
STI5 720	500×700×200	2
STI5 725	500×700×250	2
STI6 420	600×400×200	1

Model	W × H × D(mm)	No.of lock
STI6 620	600×600×200	2
STI6 625	600×600×250	2
STI6 630	600×600×300	2
STI6 820	600×800×200	2
STI6 825	600×800×250	2
STI6 830	600×800×300	2
STI6 1230	600×1200×300	3
STI8 830	800×800×300	2
STI8 1030	800×1000×300	3
STI8 1230	800×1200×300	3

---

## Contact details:

Economic Co. for electrical commerce & Import

Tel/Fax: 0020-2590-7882

Website: [www.economic-ec.com](http://www.economic-ec.com)

Emai: [Economic@economic-ec.com](mailto:Economic@economic-ec.com)